

## The new PT-175:

the most compact and manoeuvrable PrimeTech model



The new PT-175 features the same technology and components as the other models of the PrimeTech range (the 275 hp PT-300, the 415 hp PT-400, the 475 hp PT-475 and the powerful 600 hp PT-600). It encompasses a series of improved features and solutions that turn it into an even more advanced vehicle.

### Main components

- ENGINE: Cummins QSB4.5 with 160 hp and 4 in-line cylinders.
- HYDRAULIC CIRCUIT: Danfoss components with 100 cc mulcher pump.
- UNDERCARRIAGE: D3, available in the STD version (with 500 mm / 20 in wide track shoes) and LGP version (with 700 mm / 28 in wide track shoes), both featuring an extremely low ground pressure.
- FORESTRY MULCHER: FAE 140/U available in three different widths:
  - model 140/U-140 (and 1465 mm working width)
  - model 140/U-175 (and 1820 mm working width)
  - model 140/U-200 (and 2060 mm working width)

### Cutting-edge technology and easy access to all components

Perfect accessibility to the machine and its components, both for daily checks and for more thorough maintenance interventions, it's

an advantage that only PT-175 can offer, as it is the only vehicle on the market with the following features:

- hinged side doors that can be effortlessly opened for daily maintenance of the vehicle;
- the rear part of the frame is hinged and can be opened for quicker and easier radiator cleaning.

### Extreme comfort

- PT-175 allows for perfect control and manoeuvrability thanks to the vehicle's optimal balancing, ideal weight distribution, reduced dimensions and low centre of gravity.
- The roomy, soundproof driving cabin features excellent operating visibility coupled with a minimal level of perceived vibrations.
- The functions and controls are clear and easy to use.

### Fields of application

PT-175 is designed to perform light to medium duty work in the forestry sector. One of its strong points lies in its dimensions, which enables it to work on sites with width restrictions ( $\leq 1750$  mm).

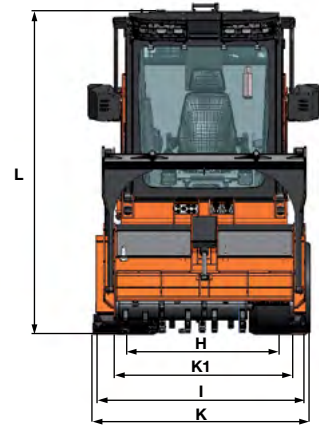
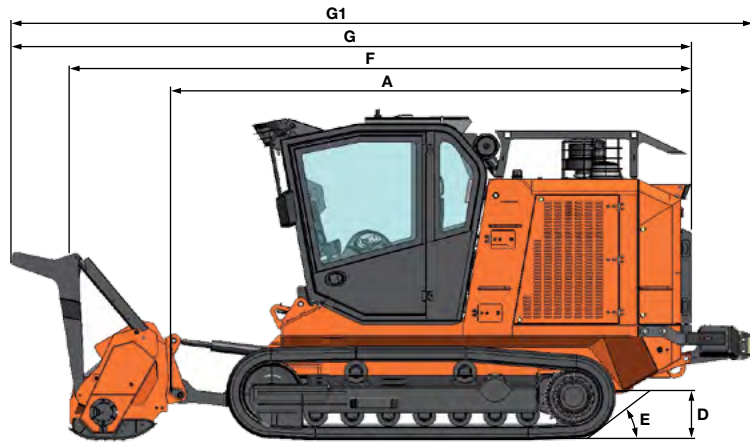
PT-175 is mainly used for vegetation management, for cleaning undergrowth, cutting and eliminating bushes and shrubs and for cutting seismic lines.



**PT-175**

**PRIME  
TECH**

a brand of FAE Group



## > DIMENSIONS

<b>A</b> Overall length with mulcher on ground	169 in	4298 mm
<b>D</b> Ground clearance	16 in	415 mm
<b>E</b> Hitch angle	38°	
<b>F</b> Overall length with mulcher on ground	202 in	5143 mm
<b>G</b> Transport length with mulcher on ground	221 in	5624 mm
<b>G1</b> Transport length with mulcher on ground and winch	237 in	6030 mm
<b>L</b> Cab height	106 in	2698 mm

VERSION	STD	LGP
Track width	20 in 500 mm	28 in 700 mm
<b>H</b> Track gauge	49 in 1250 mm	57 in 1450 mm
<b>I</b> Overall track width	69 in 1750 mm	85 in 2150 mm
FAE ATTACHMENT	140/U-140	140/U-200
<b>K</b> Overall width	69 in 1750 mm	93 in 2360 mm
<b>K1</b> Working width	58 in 1466 mm	81 in 2060 mm

## > MAIN KEYS

• Max forward speed	4.35 mph	7 km/h
• Max reverse speed	4.35 mph	7 km/h
• Drawbar pull	26970 lbf	12000 daN
• Gradeability	100%	
• Tracks control	Danfoss Electric Joystick	
• Service hydraulic circuit control	Danfoss Electric Joystick	

• Parking brake	Automatic
-----------------	-----------

VERSION	STD	LGP
• Track width	20 in 500 mm	28 in 700 mm
• Operating weight	19797 lbs 8980 kg	21054 lbs 9550 kg
• Ground pressure	4.70 psi 0,33 kg/cm <sup>2</sup>	3.55 psi 0,25 kg/cm <sup>2</sup>

## > DIESEL ENGINE

• Model	Cummins QSB4.5	
• Gross power	160 HP (119 KW)	@ 2200 rpm
• Max power	165 HP (123 KW)	@ 2000 rpm
• Displacement	275 in <sup>3</sup>	4,5 l

• N° of cylinders	4	
• Torque max	460 lbf-ft	624 Nm
• Fuel rate from	5 gal/h	19 l/h
• Emission	Tier 3, Stage 3A	

## > HYDROSTATIC TRACKS TRANSMISSION

• Pumps	Danfoss	60 cc
• Motors	Bosch Rexroth	60 cc
• Max pressure	6000 psi	420 bar
• Oil flow	66 gal/min	250 l/min
• Hydraulic emergency stop		

## > HYDROSTATIC MULCHER TRANSMISSION

• Pump	Danfoss	100 cc
• Motor	Danfoss	160 cc
• Work pressure	5250 psi	360 bar
• Oil flow	61 gal/min	230 l/min

## > REFILLING

• Hydraulic oil tank	61 gal	230 l
• Fuel tank	74 gal	280 l

## > UNDERCARRIAGE AND TRACKS

• Undercarriage	D3	
• Track shoes single grouser type:	20 in	500 mm
single grouser type:	28 in	700 mm

## > FAE ATTACHMENT

MODEL	140/U-140	140/U-175	140/U-200
• Rotor diameter	16.5 in	420 mm	16.5 in 420 mm
• Overall width	69 in	1750 mm	93 in 2360 mm
• Working width	58 in	1466 mm	81 in 2060 mm
• Weight	2910 lbs	1320 kg	3505 lbs 1590 kg
• Max. working depth	2 in	50 mm	2 in 50 mm
• Grinding diameter (max)	8 in	200 mm	8 in 200 mm
• Quantity of cutting teeth tungsten carbide type "C/3"	28 + 2	36 + 2	42 + 2
• Rotor rpm	2300	2300	2300
• Hydraulic motor type	Danfoss	160 cc	Danfoss 160 cc

### Fae Group S.p.A. - Prime Tech Division

Via G. Marconi, 20 // 38011 Sarnonico (TN) // Italy // Tel. +39 0463 840 080 // Fax +39 0463 840 099

### PrimeTech Shredding Equipment Ltd. - Branch Office

110 Saskatchewan Ave // Spruce Grove, AB // T7X 3B4  
Tel. 780-948-8882 // Fax 780-948-8886 // www.prime-tech.com // info@prime-tech.com

