

## FORESTRY MULCHERS FOR EXCAVATORS

# BL5/EX/VT - BL5/EX/SONIC

The mulcher for the largest excavators, with Bite Limiter technology.

The BL5/EX for 24-36 ton excavators, mulches vegetation up to 16 in in diameter and has a working width of 62 in. This head is ideal for handling and removing vegetation in wooded areas, especially when a large shredding capacity and fast operational speed is required. The rotor with Bite Limiter technology comes

with special wear-resistant steel limiters that limit the teeth's reach. This cuts down on power demand, promotes a consistent working speed, optimizes fuel consumption and ensures excellent performance when mulching any kind of wood.



Sonic System



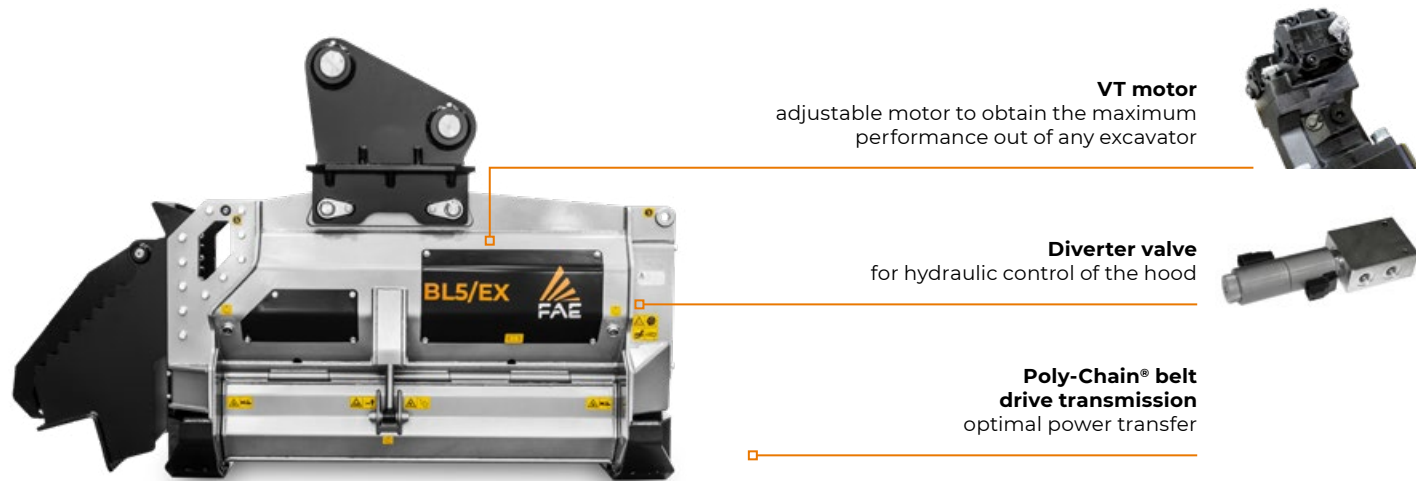
49-79 gal/min



Ø 16 in max



24-36 t



**VT motor**  
adjustable motor to obtain the maximum performance out of any excavator

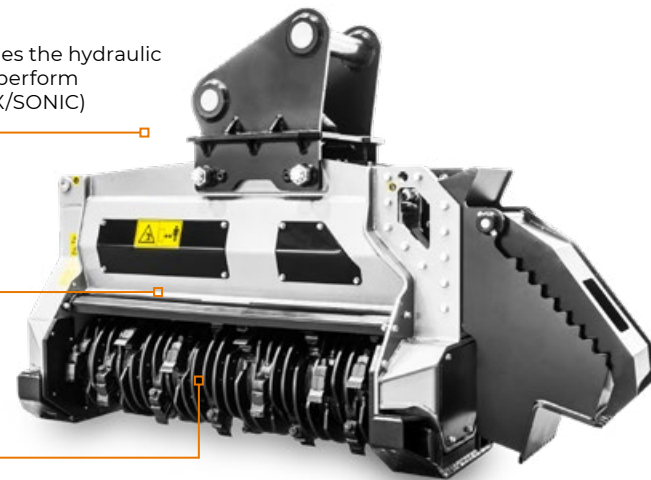
**Diverter valve**  
for hydraulic control of the hood

**Poly-Chain® belt drive transmission**  
optimal power transfer

**Sonic System**  
is a new automatic intelligent system that manages the hydraulic transmission. It makes the mulching machine to perform at the maximum capacity in all conditions (BL5/EX/SONIC)

**Spike PRO counter-blades**  
for finer mulched material

**Rotor with Bite Limiter technology**  
maximum productivity using the least amount of power



## MAIN OPTIONS



**Thumb bracket with hydraulic thumb**  
for handling material

## STANDARD EQUIPMENT

160/108 cc variable torque hydraulic piston motor (49-79 gpm) (BL5/EX/VT)	160 cc variable torque hydraulic piston motor (49-79 gpm) (BL5/EX/SONIC)
Hydraulic front hood	Rear deflector
Flow control system valve	Adjustable skirts
Diverter valve	Additional reinforced side plates
Safety and anticavitation valve	Front fixed thumb bracketed
Enclosed / anti dust machine body	Spike Pro counter-blade
Motor enclosed in the frame	Rotor Bite Limiter
Bulkhead for hydraulic connections	Sonic System (BL5/EX/SONIC)
Poly Chain® Belt Transmission	

## OPTIONS

Customized setting hydraulic motor (BL5/EX/VT)	Hydraulic thumb
Hydraulic front hood for excavator AUX line (BL5/EX/VT)	Customized attachment bracket with pins
Not supplied with hoses	Case drain required

MODEL	BL5/EX/VT* 150	BL5/EX/SONIC 150
<b>Flow rate</b> (gal/min)	49-79	49-79
<b>Pressure</b> (PSI)	3481 - 5076	3481 - 5076
<b>Excavator weight</b> (t)	24-36	24-36
<b>Working width</b> (in)	62	62
<b>Weight</b> (lbs)	5236	5236
<b>Rotor diameter</b> (in)	20,4	20,4
<b>Max shredding diameter</b> (in)	16	16
<b>No. blades</b> type BL/MAX	28	28

Data refers to machine as standard set-up. Options may have reflects on weights and dimensions. The technical data in this catalogue may be altered without prior notice.

\*Variable displacement hydraulic motor.

## ROTOR TYPE BL



**BLADE BL/MAX**  
(standard)



**UTENSILE C/3/MAX**  
(optional)