

## FORESTRY MULCHERS FOR SPECIAL VEHICLES

# 300/U/SONIC

Heavy duty hydraulic mulcher with Sonic technology.

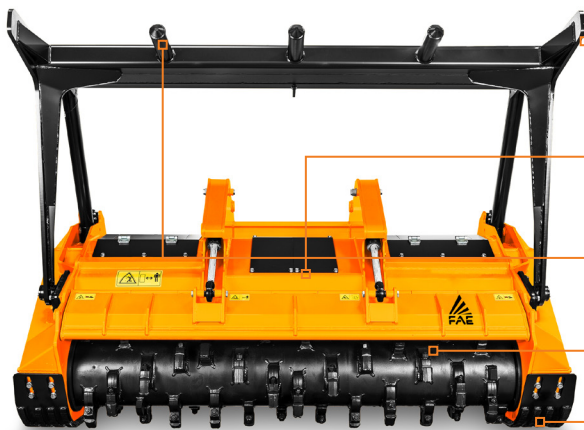
The 300/U/SONIC mulcher is highly productive, strong, and lightweight, with a fixed-teeth rotor that lets it mulch plants and trunks up to 16 in in diameter. It may be customized to meet specific needs.



Sonic System



Ø 16 in max



Mechanical or hydraulic push frame (optional)

Hydraulically controlled hood to adjust final product size

Ripper teeth for push frame (optional)

possibility of having optional rotor and tooth

Adjustable skids

### MODEL

### 300/U/SONIC 200

Head type	Mulcher
Working width (in)	81
Total width (in)	100
Weight with C-type (lbs)	7716
Weight with B-type (lbs)	8333
Rotor diameter (in)	23.2
Max shredding diameter (in)	16
No. teeth type B/3 + C/3/SS	72+2
type C/3+C/3/SS	44+2

Data refers to machine as standard. The technical data in this catalogue may be altered without prior notice.

### ROTOR TYPE B

### ROTOR TYPE C



TOOTH B/3  
(standard)



TOOTH B/3/HD  
(option)



TOOTH C/3  
(standard)



TOOTH C/3/HD  
(option)



TOOTH K/3  
(option)



TOOTH C/3/SS  
(L/R)  
(side scraper)