

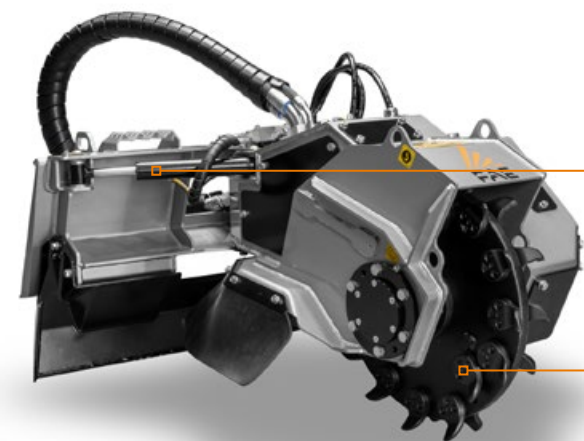
STUMP CUTTERS FOR SKID STEERS

SCL/SSL

Stump cutters for 75-120 hp skid steers.

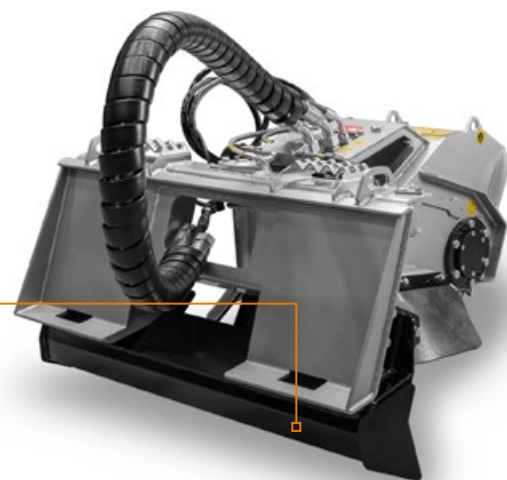
The SCL/SSL works with 75-120 hp skid steers. This head can shred large stumps and roots up to 20 in deep. Lateral oscillation with proportional hydraulic control makes it possible to work on a large area without

moving the vehicle. The SCL/SSL's Direct Drive motor minimizes maintenance and makes it possible to have an extremely compact machine body.



Proportional hydraulic control of the lateral oscillation

Disc rotor



Support blade for added stability while in operation (option)

MAIN OPTIONS



Wiring adaptors
Wiring adaptors interface to allows a Plug & Play coupling with the most popular skid steers



Support blade



75-120 hp



20 in max



Ø 16 in max



STANDARD EQUIPMENT

125 cc hydraulic piston motor	Direct-drive transmission
Hydraulic block with safety and anticavitation valves	Hydraulic and proportional swing control
12 V diverter valve	Enclosed, dust-resistant machine body
Hydraulic hoses	Supporting leg
Interchangeable forged steel rotor shafts	Motor enclosed in the frame

OPTIONS

Adaptor wiring	Support blade
Case drain required	

MODEL

	STC/SSL
Engine (hp)	75-120
Flow rate (gal/min)	32-40
Pressure (PSI)	2600-5080
Working width max (in)	37
Total width (in)	46
Weight (lbs)	992
Max. shredding diameter (in)	16
Disc rotor diameter (in)	26
Disc rotor width (in)	4.4
Max. working depth (in)	20
No. teeth type L/1+L/2	15+15

Data refers to machine as standard. The technical data in this catalogue may be altered without prior notice.

DISC ROTOR



TOOTH L/1
(standard)



TOOTH L/2
(standard)