



DP046001 - USA - Flyer RPL/HY - 04/2024 - by FAE GROUP S.p.A.



# NEW RPL/HY



# RPL/HY

Road planers are machines that can mill road surfaces, partially or fully removing the asphalt or concrete layer. FAE's road planers are based on "cold planer" technology. With "cold planer" technology, the road's surface is scraped by the impact of special teeth arranged along a rapidly spinning rotor. The layout of the RPL/HY rotor was specifically designed by FAE to increase performance and reduce vibration. As an excavator attachment, the RPL/HY is ideal for use where maneuverability, flexibility and precision are needed, such as in narrow corners, on sidewalks, and in service channels.



## ROAD PLANERS FOR EXCAVATORS

# RPL/HY

### Fixed tooth road planer for excavators up to 8 t.

The RPL/HY is a road planer for excavators from 5 to 8 t, capable of milling up to 5 inches deep. The RPL/HY is ideal for preparing the surface of the road for laying a new layer of asphalt or concrete. Its features include a wide-stroke

self-leveling system for proper head alignment during operation and teeth specifically designed for asphalt and concrete road surfaces.



5-8 t



13-24 gal/min

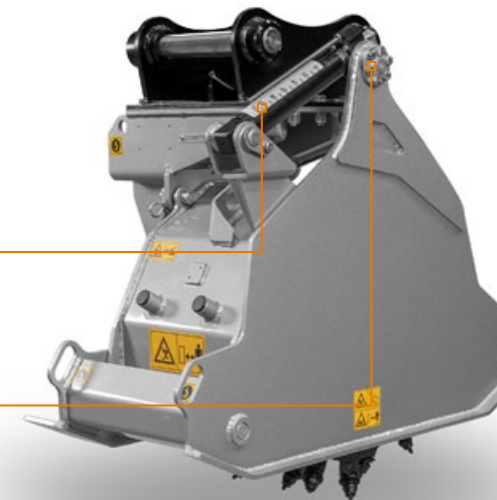


Depth  
4.5 in



Attachment with self-leveling system for proper head alignment during operation

Radial piston motor to maximize performance



Depth Indicator

Mechanical adjustment of working depth

0 - 50 gal/min

50 - 100 gal/min

13 - 24 gal/min

### APPLICATIONS:

Asphalt shredding  
Asphalt recycling

### STANDARD EQUIPMENT

470 cc hydraulic piston motor	Enclosed, dust-resistant machine body
Direct-drive transmission	Fittings for hydraulic connections
Flow Control system valve with integrated safety and anticavitation valves	Self-leveling attachment bracket
Mechanically adjustable working depth	Rotor with picks R/44/A

### OPTIONS

Customized attachment bracket kit with customized pins	Multiple tooth options
--	------------------------

### MODEL

RPL/HY 30

Flow rate (gal/min)	13-24
Pressure (PSI)	2600-5080
Excavator weight (t)	5-8
Working width (in)	12
Total width (in)	20
Weight (lbs)	882
Rotor diameter (in)	20.7
Working depth (in)	0-4.5
N° picks type R/44/A	32

Data refers to machine as standard. The technical data in this catalogue may be altered without prior notice.

### MAIN OPTIONS



Teeth for working on concrete



Custom attachment bracket

### ROTOR TYPE R



PICK R/44/A (standard)

PICK R/44/C (optional)