

FORESTRY MULCHERS FOR SPECIAL VEHICLES

500/U

Heavy duty hydraulic mulcher for higher horse power carriers.

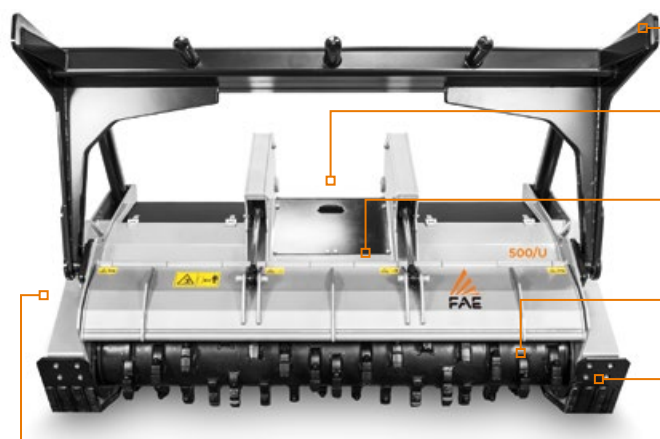
The 500/U forestry mulcher is the top of the line for special vehicles, capable of mulching logs up to 20 in in diameter. The transmission is rated for use up to 600 hp, so it can work with the most powerful vehicles on the market.



400-600 hp



Ø 20 in max



Mechanical or hydraulic push frame

Customized attachment plates

Hydraulically controlled hood to adjust final product

Possibility of having optional rotor and tooth

Adjustable skids

Customized hydraulic transmission

STANDARD EQUIPMENT

Considering the various available options and high level of customization, the final configuration will be specified upon request.

| MODEL | 500/U 225 | 500/U 250 |
|--------------------------------|-----------|-----------|
| Engine (hp) | 400-600 | 400-600 |
| Flow rate (gal/min) | 105-198 | 105-198 |
| Pressure (PSI) | 3600-5800 | 3600-5800 |
| Working width (in) | 91 | 101 |
| Total width (in) | 113 | 122 |
| Weight with C-type rotor (lbs) | 10385 | 10935 |
| Weight with A-type rotor (lbs) | 11135 | 11465 |
| Rotor diameter C/3 (in) | 26.8 | 26.8 |
| Rotor diameter A/3 (in) | 26.8 | 26.8 |
| Max shredding diameter (in) | 20 | 20 |
| No. teeth type A/3+MH | 88+2 | 96+2 |
| type C/3+C/3/SS | 54+2 | 60+2 |

Data refers to machine as standard set-up. Options may have reflects on weights and dimensions. The technical data in this catalogue may be altered without prior notice.

ROTOR TYPE A



TOOTH A/3
(standard)



TOOTH A/3/HD
(option)



TOOTH MH
(side scraper)

ROTOR TYPE C



TOOTH C/3
(standard)



TOOTH C/3/HD
(option)



TOOTH K/3
(option)



TOOTH STCL/3
(option)



TOOTH C/3/SS
(side scraper)