

FORESTRY MULCHERS FOR SPECIAL VEHICLES

300/U/SONIC

Heavy duty hydraulic mulcher with Sonic technology.

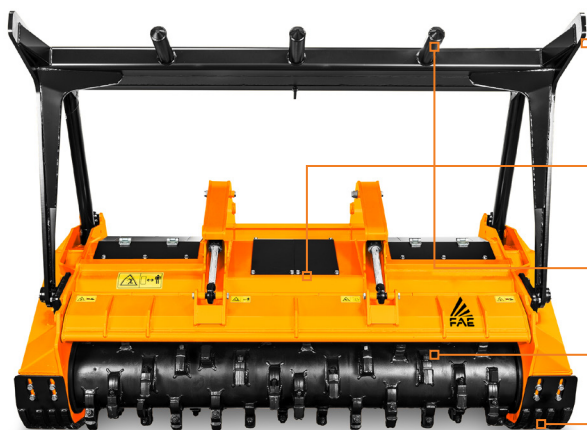
The 300/U/SONIC mulcher is highly productive, strong, and lightweight, with a fixed-teeth rotor that lets it mulch plants and trunks up to 40 cm in diameter. It may be customized to meet specific needs.



Sonic System



Ø 40 cm max



Mechanical or hydraulic push frame (optional)

Hydraulically controlled hood to adjust final product size

Ripper teeth for push frame (optional)

Possibility to have optional rotors and tooth

Adjustable skids

MODEL

300/U/SONIC 200

Head type	Mulcher
Working width (mm)	2064
Total width (mm)	2544
Weight with C-type (kg)	3500
Weight with B-type (kg)	3780
Rotor diameter (mm)	590
Max shredding diameter (mm)	400
No. teeth type B/3 + C/3/SS	72+2
type C/3+C/3/SS	44+2

Data refers to machine as standard. The technical data in this catalogue may be altered without prior notice.

ROTOR TYPE B



TOOTH B/3
(standard)



TOOTH B/3/HD
(option)



TOOTH C/3
(standard)



TOOTH C/3/HD
(option)



TOOTH K/3
(option)



TOOTH C/3/SS
(L/R)
(side scraper)