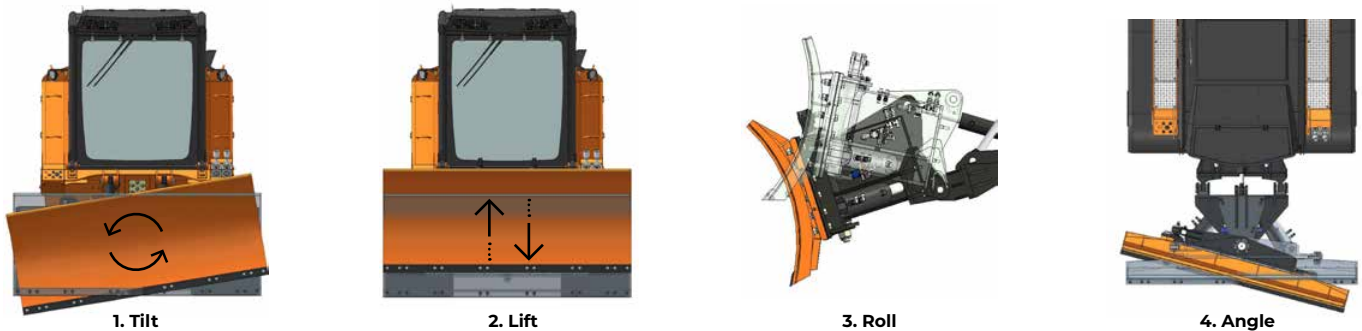


BLADE FOR SPECIAL VEHICLES

Dozer Blade

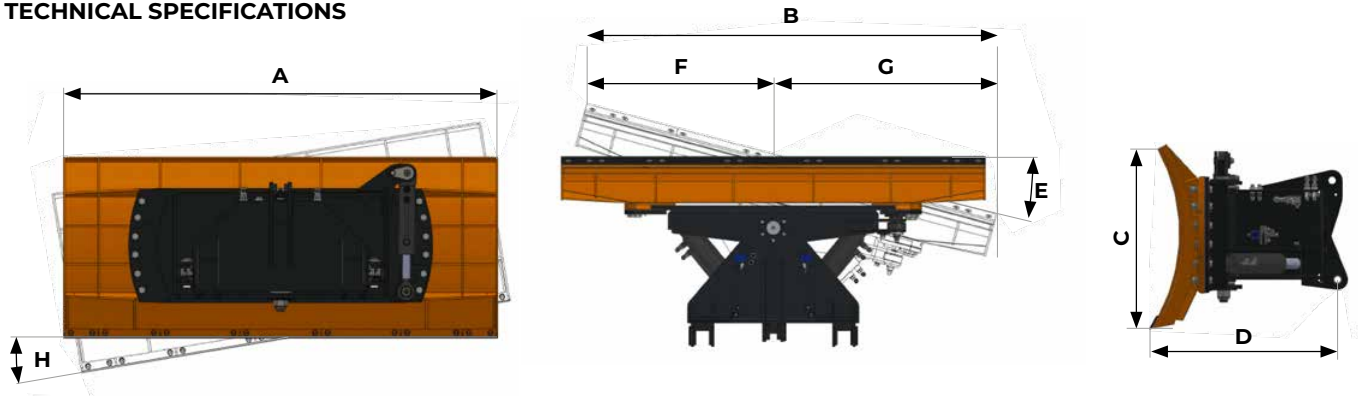
Eight-way dozer blade with heavy-duty frame and 2400 mm working width. Designed for rough and finish grading in dirt, leveling and trenching. Hydraulic controlled angle and tilt. Angles 15° right or left off center. Tilts 10 degrees off horizontal both directions. Relief valves to protect the hydraulic angling system when the blade is overloaded.

RANGE OF MOTION



The 8-way movement allows you to tilt (1), lift (2), roll (3) and angle (4) the blade, all from the cab or remote control of your PT-300 D:MINE!

TECHNICAL SPECIFICATIONS



MODEL	Dozer Blade
A. Blade width (mm)	2400
B. Working width (mm)	2320
C. Moldboard height (mm)	970
D. Overall depth with attachment plate (mm)	1020
E. Blade angle	±15°
F. Center line to edge, when angled (mm)	1055
G. Center line to edge (mm)	1265
H. Blade tilt	±10°
Weight (kg)	1400
Moldboard thickness (mm)	15

Data refers to machine as standard. The technical data in this catalogue may be altered without prior notice.