

ROAD PLANERS FOR EXCAVATORS

RPL/HY

Fixed tooth road planer for excavators up to 8 t.

The RPL/HY is a road planer for excavators from 5 to 8 t, capable of milling up to 11,5 cm deep. The RPL/HY is ideal for preparing the surface of the road for laying a new layer of asphalt or concrete. Its features

include a wide-stroke self-leveling system for proper head alignment during operation and teeth specifically designed for asphalt and concrete road surfaces.



5-8 t



50-90 L/min

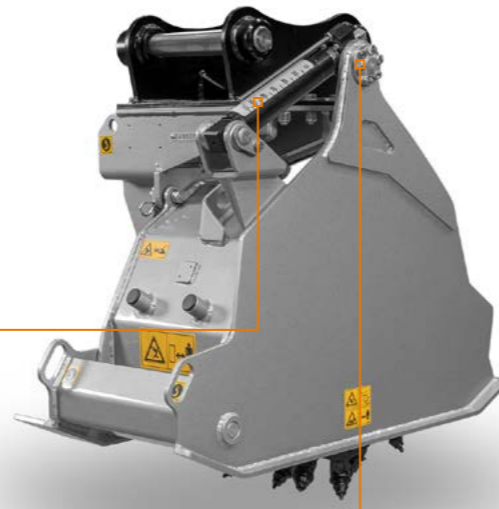


Depth
11,5 cm



Attachment with self-leveling system
for proper head alignment during operation

Radial pistons motor
to maximize performance



Depth Indicator

Mechanical adjustment of working depth

STANDARD EQUIPMENT

470 cc hydraulic piston motor	Enclosed, dust-resistant machine body
Direct-drive transmission	Fittings for hydraulic connections
Flow Control system valve with integrated safety and anticavitation valves	Self-leveling attachment bracket
Mechanically adjustable working depth	Rotor with picks R/44/A

OPTIONS

Customized attachment bracket kit with customized pins	Multiple tooth options
--	------------------------

MODEL

RPL/HY-30

Flow rate (L/min)	50-90
Pressure (bar)	180-350
Excavator weight (t)	5-8
Working width (mm)	300
Total width (mm)	605
Weight (kg)	400
Rotor diameter (mm)	525
Working depth (mm)	0-115
N° picks type R/44/A	32

Data refers to machine as standard. The technical data in this catalogue may be altered without prior notice.

MAIN OPTIONS



Teeth for working on
concrete



Custom attachment bracket

ROTOR TYPE R



PICK R/44/A
(standard)



PICK R/44/C
(optional)