

NEW

FORESTRY MULCHERS FOR EXCAVATORS


# BLO/EX

## Forestry mulcher with Bite Limiter technology for excavators up to 4 tons.

The BLO/EX forestry mulcher for 2-4 ton excavators can shred material up to 8 cm in diameter. Bite Limiter technology is ideal for high productivity vegetation management, designed with reliable and efficient shredding and easy maintenance in mind.

The BLO/EX's Direct Drive motor minimizes maintenance and makes it possible to have an extremely compact machine body. The BLO/EX can be equipped with BL/MINI blades and C/3/MINI teeth.

 30-70 L/min

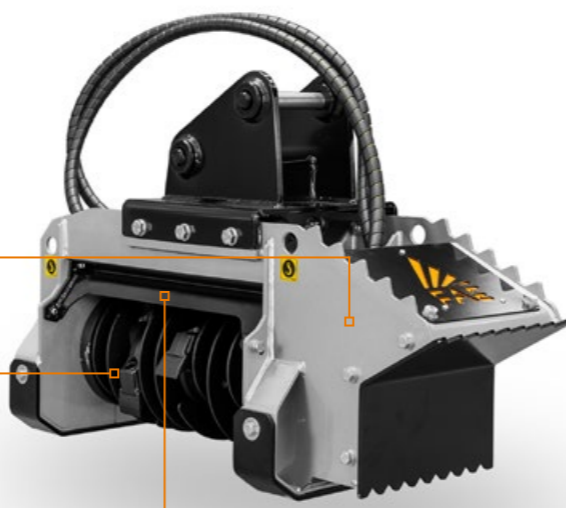
 Ø 8 cm max

 2-4 t



Hydraulic block with flow control valve in the motor

Fixed thumb bracket built into the frame useful for moving materials that need to be mulched



**Direct Drive Motor**  
for less maintenance and reduced size

**Rotor Bite Limiter**  
special steel profiles limit the blades' reach and optimize productivity

**Adjustable rear deflector**  
controls mulched material output for greater safety

### STANDARD EQUIPMENT

11 cc-gear hydraulic motor (BLO/EX 50)	Deflector
16 cc-gear hydraulic motor (BLO/EX 75)	Thumb bracket
Flow Control system valve with integrated safety and anticavitation valves	Direct-drive transmission
Enclosed, dust-resistant machine body	Interchangeable forged steel rotor shafts
Motor enclosed in the frame	Bite Limiter Rotor
Hydraulic hoses	Wear-resistant interchangeable Hardox® soles

### OPTIONS

Customized attachment bracket kit with customized pins	11 cc-gear hydraulic motor (BLO/EX 75)
Attachment plate with self-leveling device	Multiple tooth options
16 cc-gear hydraulic motor (BLO/EX 50)	

MODEL	BLO/EX 50	BLO/EX 75
<b>Flow rate</b> (L/min)	30-70	30-70
<b>Pressure</b> (bar)	180-250	180-250
<b>Excavator weight</b> (t)	2-4	3-4
<b>Working width</b> (mm)	560	800
<b>Total width</b> (mm)	1012	1252
<b>Weight</b> (kg)	213	251
<b>Rotor diameter</b> (mm)	310	310
<b>Max shredding diameter</b> (mm)	80	80
<b>No. blades</b> type BL/MINI	10	14
<b>No. tooth</b> type C/3/MINI	10	14

Data refers to machine as standard. The technical data in this catalogue may be altered without prior notice.

### MAIN ACCESSORIES



**Customized attachment bracket kit with customized pins**



**Attachment plate with self-leveling device** (optional) adapts to all types of terrain



**BLADE BL/MINI**  
(standard)



**TOOTH C/3/MINI**  
(optional)