

FORESTRY MULCHERS FOR SPECIAL VEHICLES

300/U

Heavy duty hydraulic mulcher for higher horse power carriers.

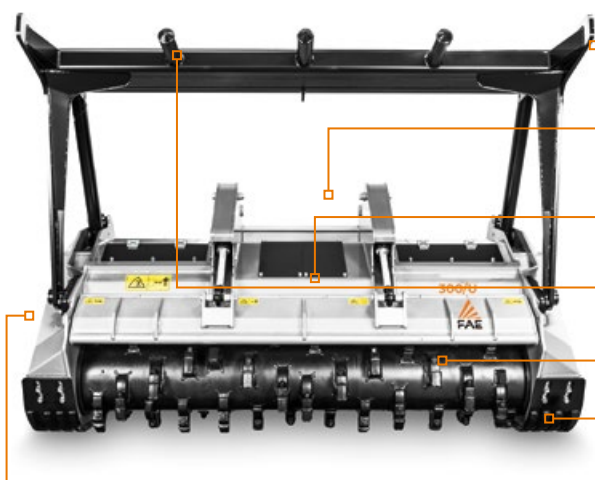
The 300/U mulcher is highly productive, strong, and lightweight, with a fixed-teeth rotor that lets it mulch plants and trunks up to 40 cm in diameter. It may be customized to meet specific needs.



300-450 hp



Ø 40 cm max



Hydraulic push frame

Customized attachment plates

Hydraulically controlled hood
to adjust final product size

Ripper teeth for push frame

Possibility to have optional rotor and tooth

Adjustable skids

Customized hydraulic transmission

STANDARD EQUIPMENT

Considering the various available options and high level of customization, the final configuration will be specified upon request.

MODEL	300/U 225	300/U 250
Engine (hp)	300-450	300-450
Flow rate (L/min)	370-510	370-510
Pressure (bar)	250-415	250-415
Working width (mm)	2304	2544
Total width (mm)	2784	3024
Weight with C-type rotor (kg)	3850	4010
Weight with B-type rotor (kg)	4190	4410
Rotor diameter (mm)	590	590
Max shredding diameter (mm)	400	400
No. teeth type B/3+C/3/SS	80+2	92+2
type C/3+C/3/SS	50+2	56+2

Data refers to machine as standard. The technical data in this catalogue may be altered without prior notice.

ROTOR TYPE B



TOOTH B/3
(standard)



TOOTH B/3/HD
(option)



TOOTH MH
(side scraper)

ROTOR TYPE C



TOOTH C/3
(standard)



TOOTH C/3/HD
(option)



TOOTH K/3
(option)



TOOTH STCL/3
(option)



TOOTH C/3/SS
(side scraper)