



DP046001 - EN - Flyer RPL/HY - 04/2024 - by FAE GROUP S.p.A.



NEW RPL/HY



RPL/HY

Road planers are machines that can mill road surfaces, partially or fully removing the asphalt or concrete layer. FAE's road planers are based on "cold planer" technology. With "cold planer" technology, the road's surface is scraped by the impact of special teeth arranged along a rapidly spinning rotor.

The layout of the RPL/HY rotor was specifically designed by FAE to increase performance and reduce vibration. As an excavator attachment, the RPL/HY is ideal for use where maneuverability, flexibility and precision are needed, such as in narrow corners, on sidewalks, and in service channels.



0 - 50 L/min

50 - 100 L/min

50 - 90 L/min

APPLICATIONS:

- Asphalt shredding
- Asphalt recycling

ROAD PLANERS FOR EXCAVATORS

RPL/HY

Fixed tooth road planer for excavators up to 8 t.

The RPL/HY is a road planer for excavators from 5 to 8 t, capable of milling up to 11,5 cm deep. The RPL/HY is ideal for preparing the surface of the road for laying a new layer of asphalt or concrete. Its features include a wide-stroke

self-leveling system for proper head alignment during operation and teeth specifically designed for asphalt and concrete road surfaces.



5-8 t



50-90 L/min

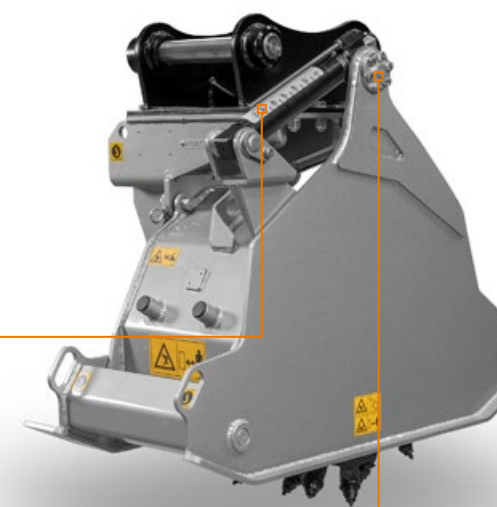


Depth
11,5 cm



Attachment with self-levelling system for proper head alignment during operation

Radial pistons motor to maximize performance



Depth Indicator

Mechanical adjustment of working depth

STANDARD EQUIPMENT

470 cc hydraulic piston motor	Enclosed, dust-resistant machine body
Direct-drive transmission	Fittings for hydraulic connections
Flow Control system valve with integrated safety and anticavitation valves	Self-leveling attachment bracket
Mechanically adjustable working depth	Rotor with picks R/44/A

OPTIONS

Customized attachment bracket kit with customized pins	Multiple tooth options
--	------------------------

MODEL

RPL/HY 30

Flow rate (L/min)	50-90
Pressure (bar)	180-350
Excavator weight (t)	5-8
Working width (mm)	300
Total width (mm)	510
Weight (kg)	400
Rotor diameter (mm)	525
Working depth (mm)	0-115
N° picks type R/44/A	32

Data refers to machine as standard. The technical data in this catalogue may be altered without prior notice.

MAIN OPTIONS



Teeth for working on concrete



Custom attachment bracket

ROTOR TYPE R



PICK R/44/A (standard)

PICK R/44/C (optional)